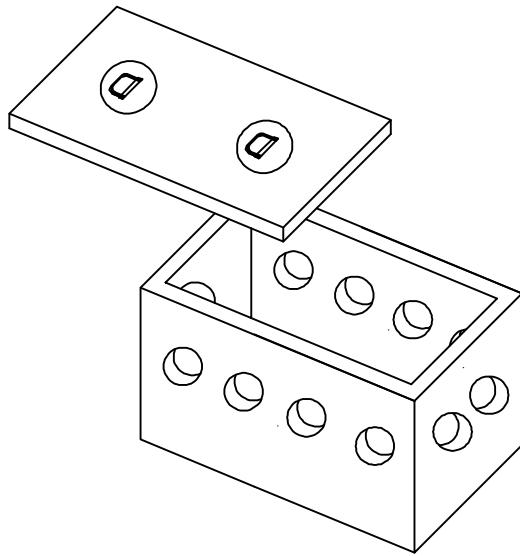


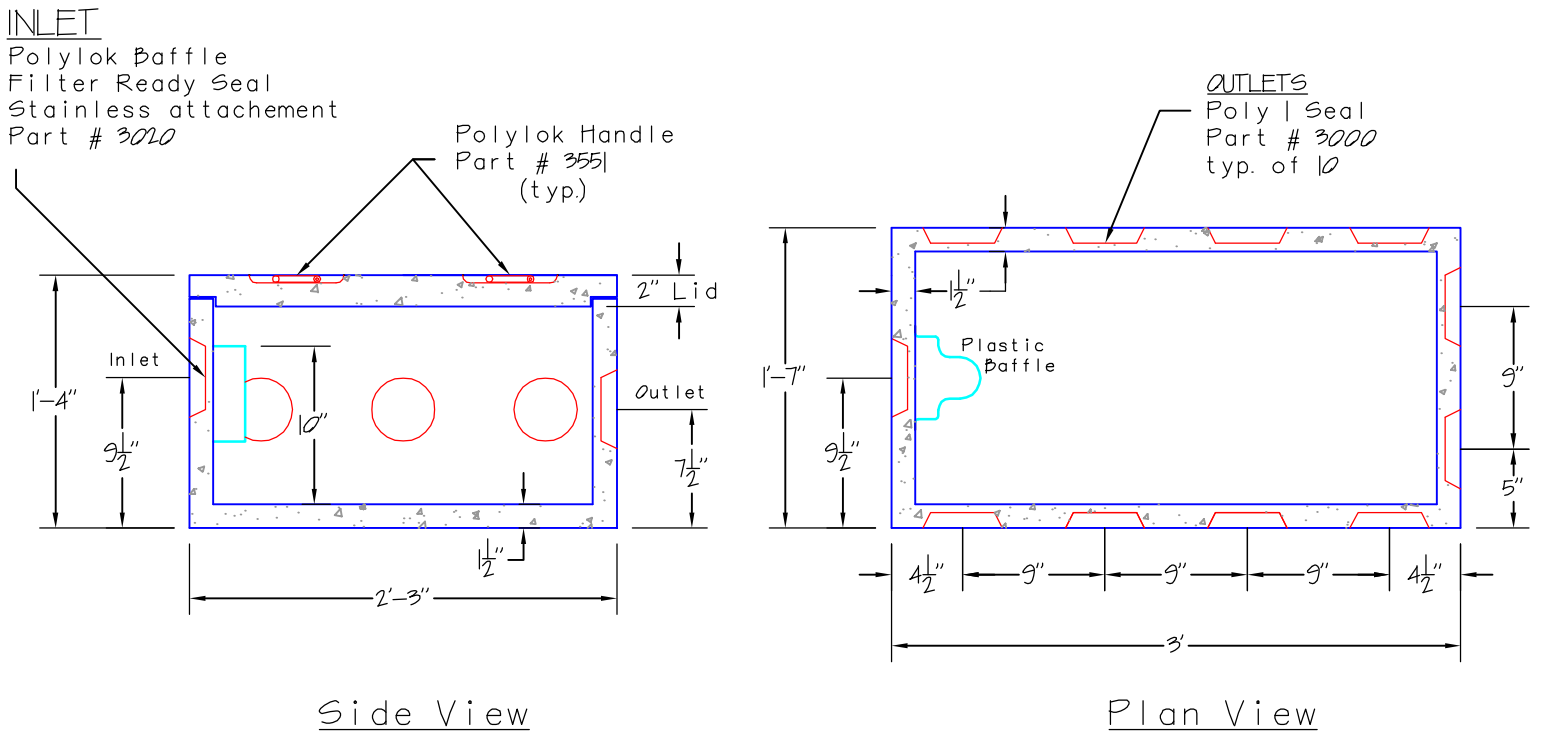
10 Out Distribution Box



Isometric View

NOTES:

1. CONCRETE MIN. STRENGTH - 5,000psi @ 28 DAYS
2. REINFORCEMENT - FIBER or WIRE MESH
3. AIR ENTRAINMENT - 5%
4. PIPE INLET - POLYLOK BAFFLE-FILTER READY SEAL, # 3020
5. PIPE OUTLET - POLY 1 SEAL, # 3000



Side View

Plan View

Arnold Pre-Cast, Inc.

129 West Street
Malone, New York 12953

518-651-2500
518-651-2502 fax