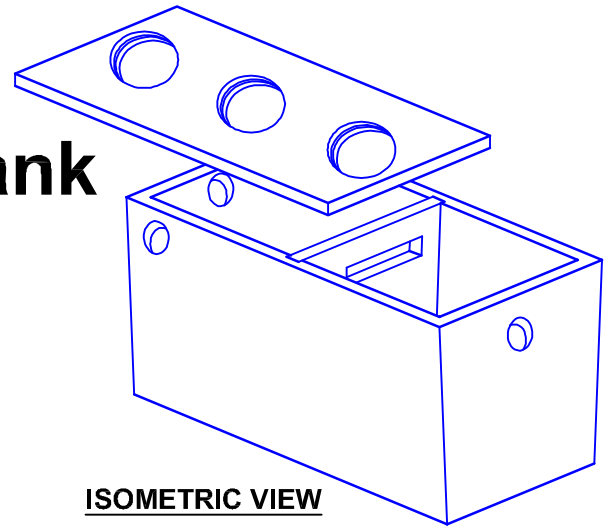


1500 Gallon Double Compartment Septic Tank



ISOMETRIC VIEW

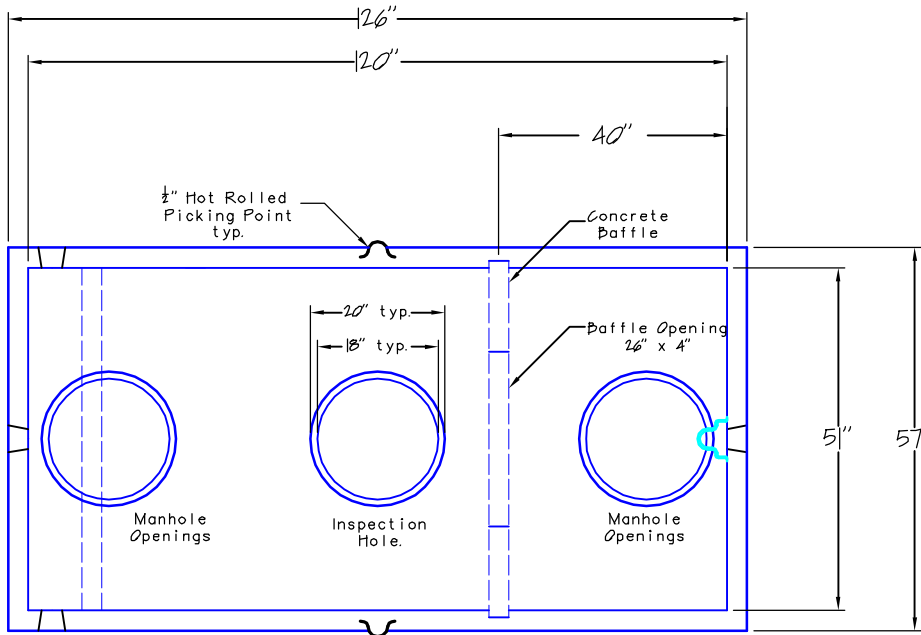
**TANK SPECIFICATION CONFORMS TO LATEST ASTM
DESIGNATION C1222**

NOTES:

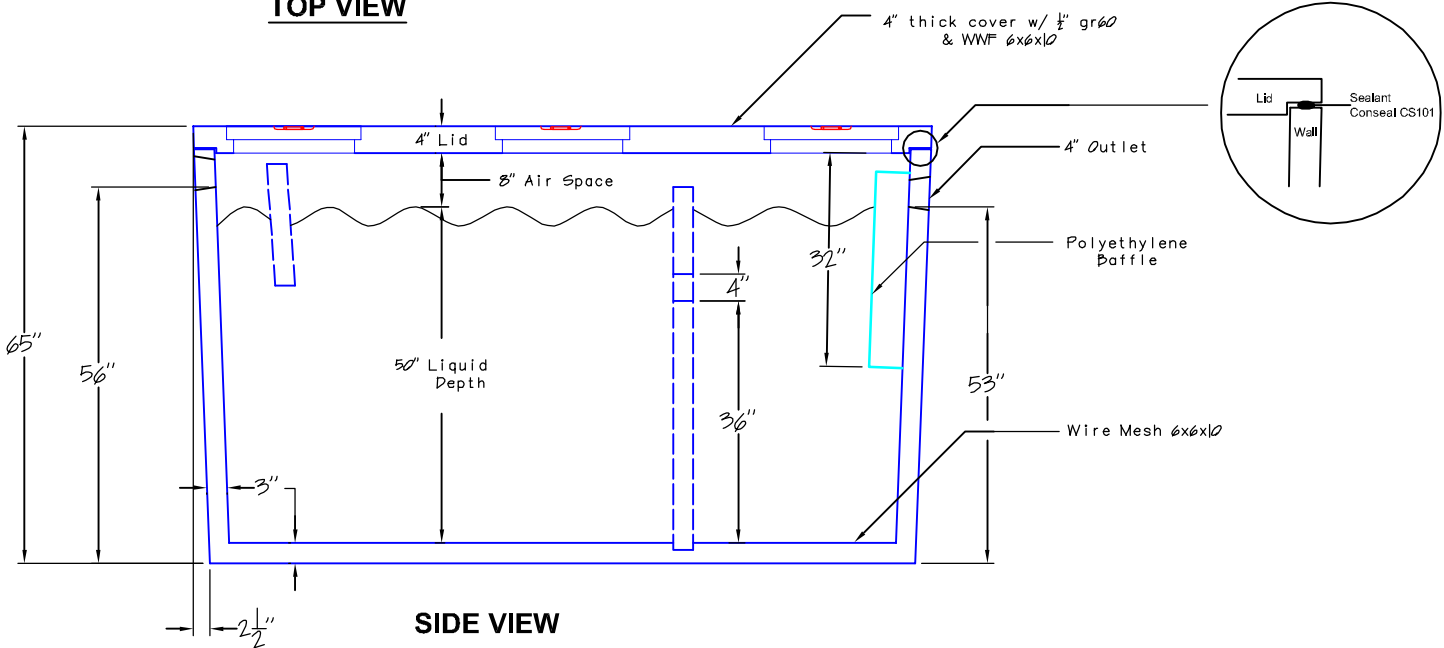
1. JOINT SEALANT IS BUTYL RUBBER MASTIC TYPE SEAL
2. PIPE INLET AND OUTLET LOCATIONS HAVE POLYLOK I PIPE SEALS.
3. REINFORCING STEEL DEFORMED BARS CONFORM TO LATEST ASTM SPECIFICATION A615.
4. CONCRETE COMPRESSIVE STRENGTH - 5000PSI @ 28 DAYS.
5. METHOD OF MANUFACTURER; WET CAST.
6. SECTIONS ARE MONOLITHIC

WEIGHT CHART:

PRODUCT	APPROX WEIGHT
TANK	9,200 LBS



TOP VIEW



SIDE VIEW

Arnold Pre-Cast, Inc.

129 West Street
Malone, New York 12953

518-651-2500
518-651-2502 fax